

## ▲ SAFETY FAN SYSTEM

▲ PART NO: 914014, 914015, 914016, 914013

▲ MATERIAL INTERCEPTION

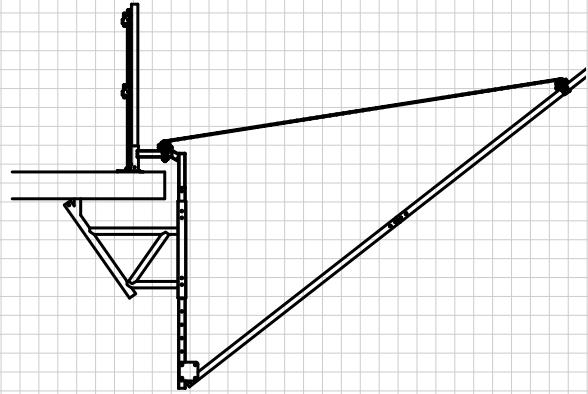
▲ CAN BE INSTALLED WITHOUT CRANE

SafetyRespect Safety Fan is used as protection against falling objects. The system is a complement to SafetyRespect and other products and is used to intercept falling materials and objects that pose a risk of injury to persons or damage to objects.

Please find more information in our user's manual.

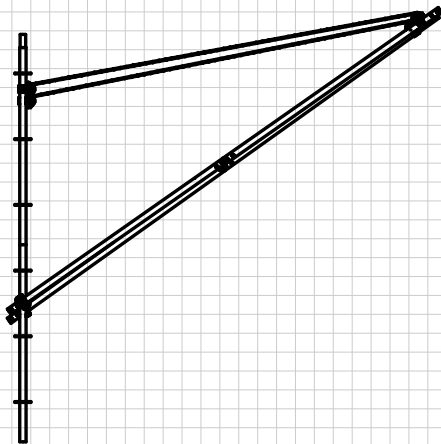
### SAFETY FAN SLAB (PART NO 914014)

Installed on the slab with the possibility of being directly integrated with SafetyRespect's standard edge protection system.



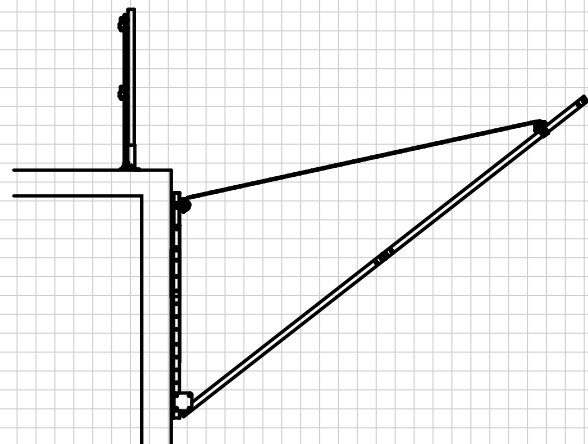
### SAFETY FAN SCAFFOLDING (PART NO 914015)

Can be mounted onto most common scaffoldings.

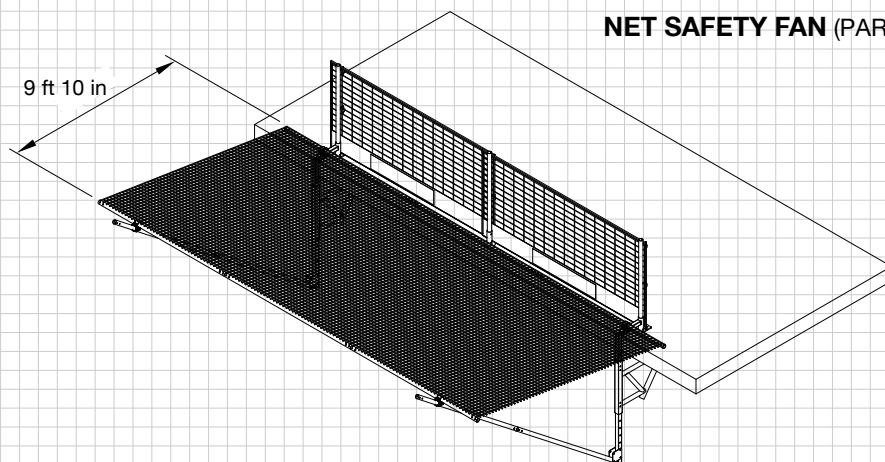


### SAFETY FAN WALL (PART NO 914016)

Mounted on a vertical surface with standard edge protection mounted freestanding on the working surface.



### NET SAFETY FAN (PART NO 914013)



## SAFETY FAN SYSTEM



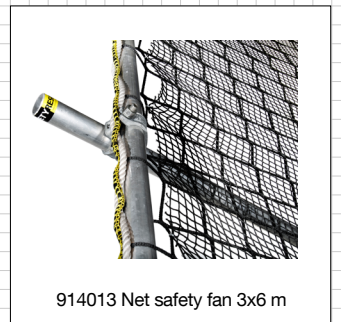
915100 Top bracket safety fan



915102 Bottom support safety fan



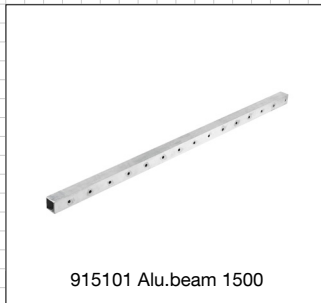
914105 Flex key hole bracket



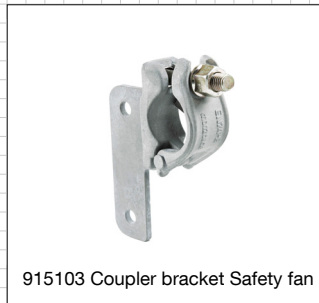
914013 Net safety fan 3x6 m



914141 Plate 140x140



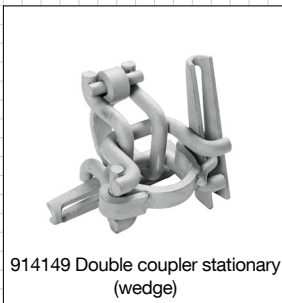
915101 Alu.beam 1500



915103 Coupler bracket Safety fan



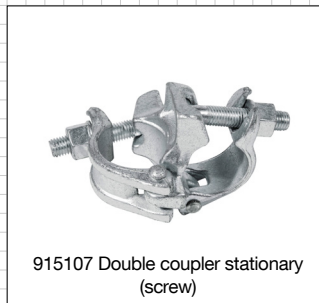
915104 Coupler 48-50



914149 Double coupler stationary (wedge)



915105 Double coupler swivelling (wedge)



915107 Double coupler stationary (screw)



915108 Double coupler swivelling (screw)