

▲ PLATFORM CONSOLE 55 MM

▲ ART NO: 930089

▲ CREATES GROUND IN OPENINGS AND LIFT SHAFTS

▲ MOUNTED WITH CONSOLE TENON

▲ MAXIMUM LOAD 1000 KG/CONSOLE

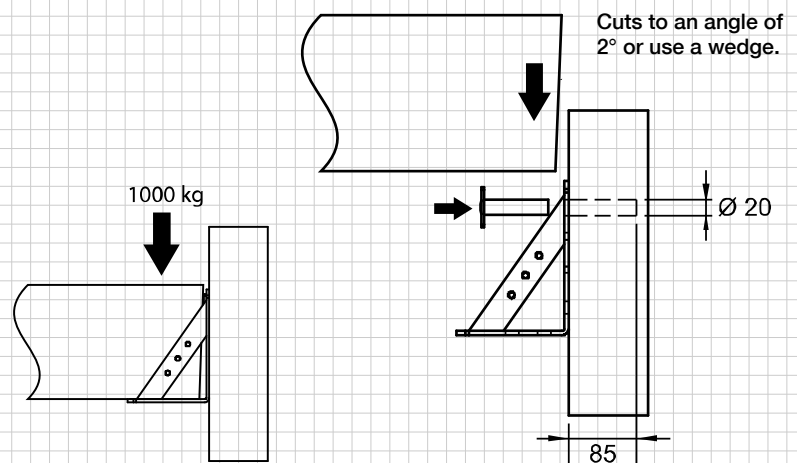
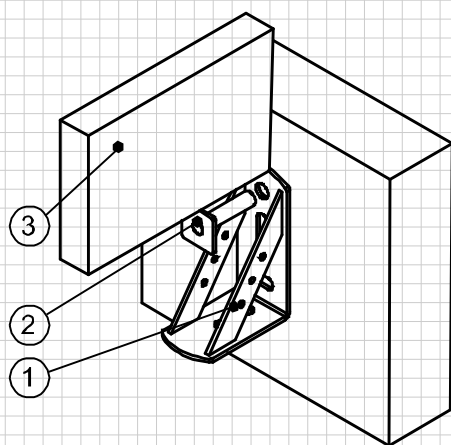
▲ WEIGHT 1,4 KG

USAGE

SafetyRespect Console Bracket (1) and Console tenon (2) are used together in the Platform Console. The Platform Console is intended for use with 2"x8" Wooden Beam (3) to create ground in openings and lift shafts.

▲ WARNING

SafetyRespect can only take responsibility for the Console itself. Whven used with wooden beams proper calculations needs to be performed for the construction as a whole.



We reserve the right to make technical changes.