

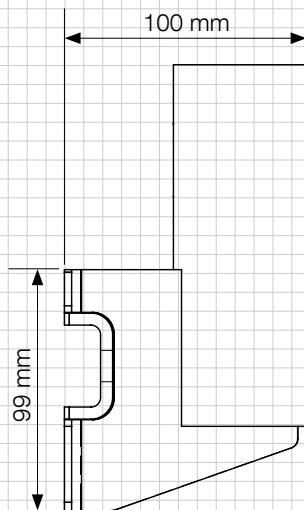
## ▲ BALCONY BRACKET

▲ ART NO: 912151, 912161

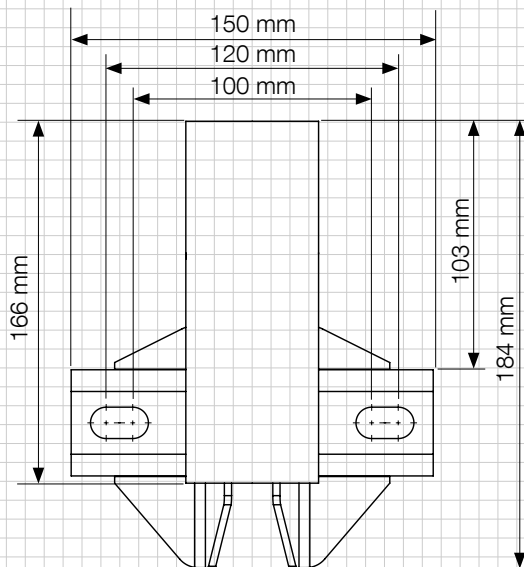
**BALCONY BRACKET** (ART NO 912151)

**BALCONY BRACKET 10 GR**  
(ART NO 912161)

- ▲ FITS THE REGULAR BALCONY FIXTURE
- ▲ MOUNTED WITH C/C UP TO 2.4 M
- ▲ 10° SLOPE OPTION FOR BETTER ACCESS WHEN NEEDED
- ▲ INTEGRATED POST LOCK
- ▲ HOT DIP GALVANIZED
- ▲ WEIGHT 1,3 KG
- ▲ EN13374 A



Balcony bracket  
Art no 912151



Balcony bracket 10°  
Art no 912161

We reserve the right to make technical changes.