

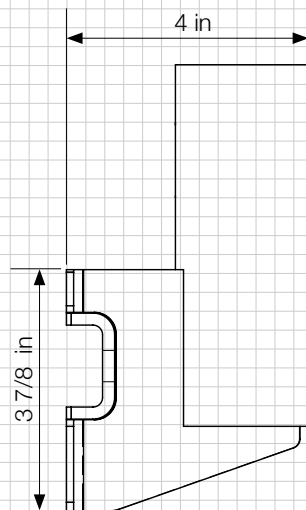
▲ BALCONY BRACKET

▲ PART NO: 912151, 912161

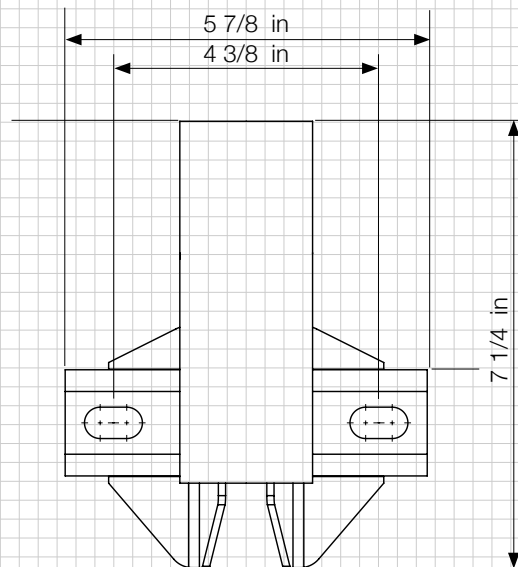
BALCONY BRACKET (PART NO 912151)

**BALCONY BRACKET 10 GR
(PART NO 912161)**

- ▲ FITS THE REGULAR BALCONY FIXTURE
- ▲ DELIVERED IN STACKABLE STILLAGE 250 PCS.
- ▲ 10° SLOPE OPTION FOR BETTER ACCESS WHEN NEEDED
- ▲ INTEGRATED POST LOCK
- ▲ HOT DIP GALVANIZED
- ▲ WEIGHT 2 lb 14 oz
- ▲ EN13374 A, OSHA 1926.502 (B)



Balcony bracket
Part no 912151



Balcony bracket 10°
Part no 912161

We reserve the right to make technical changes.

